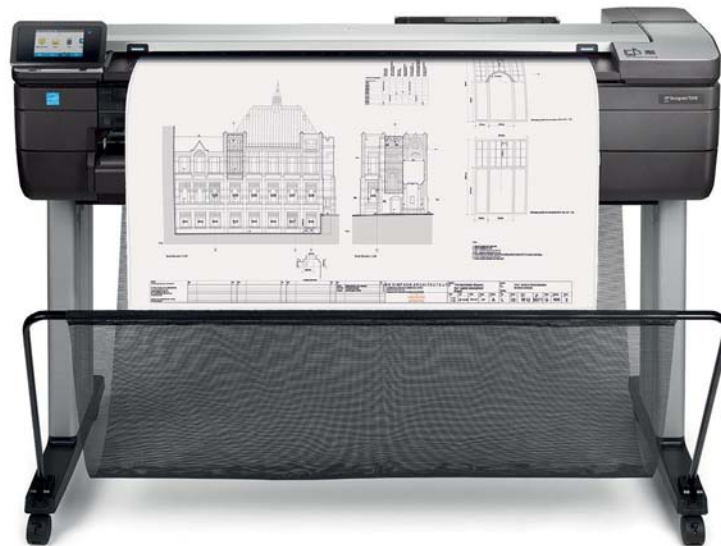




HP DesignJet T830 36-in Multifunction Printer

The smart choice for architecture and construction offices ready to evolve

Communicate more effectively—no learning curve needed—with print plus scan and copy capabilities



CONVENIENT—Fast, agile, intuitive print/scan/copy

- Enjoy easy installation in the office, construction job site with the most compact 36-in large-format MFP¹
- Easily print project sets and PDF documents with HP Click printing software
- Anyone can print smoothly from a smartphone or tablet with HP Mobile Printing²
- Fit your print volume—choose from a variety of 40/130/300-ml color and 69/300-ml black HP ink cartridges

TRUSTED—HP DesignJet quality and reliability

- Get HP DesignJet quality also in small-format sizes—print half-size documents with 50-sheet A4/A3 input tray
- Smart scanning technology protects originals from damage when scanning and obtains precise colors
- Achieve precise lines up to 0.1% line accuracy³, sharp detail up to 2400 dpi or down to 0.02 mm line width
- Reinforced design and strong legs for easy transport and use at the job site

COMMUNICATION—Immediately share meeting results

- Use built-in scanner to copy and distribute sketches and hand-annotated drawings to peers/partners right away
- Share drawings immediately—scan/email from front panel, use HP Smart app⁴ to email contacts, post to cloud
- Easily link your computer, smartphone, or tablet to the printer with Wi-Fi Direct
- No learning curve—with the intuitive design of a single touchscreen, you can scan, copy, and share instantly

Dynamic security enabled printer. Cartridges using a non-HP chip might not work and those that work today might not work in the future. More at: hp.com/go/learnaboutesupplies

For more information, please visit
hp.com/go/designjetT830

¹ The HP DesignJet T830 24-inch and 36-inch Multifunction Printers are the most compact large-format devices performing print/scan/copy functions based on H x W x L specifications published as of May, 2017.

² Local printing requires mobile device and printer to be on the same network (usually Wi-Fi access points bridge wireless to wired connections) or have a direct wireless connection. Wireless performance is dependent on physical environment and distance from access point. Wireless operations are compatible with 2.4 GHz operations only. Remote printing requires an Internet connection to an HP web-connected printer. Wireless broadband use requires separately purchased service contract for mobile devices. Check with service provider for coverage and availability in your area. See <http://www.hp.com/go/designjetmobility> for more details.

³ +/-0.1% of the specified vector length or +/-0.2 mm (whichever greater) at 23° C (73° F), 50-60% relative humidity, on A1/D HP printing material in Best mode with HP Heavyweight roll feed and Original HP Bright Office Inks.

⁴ The HP Smart app is available for Apple® iPad, iPhone, and iPod Touch running iOS v7.0 or later and for Android™ mobile devices running Android™ v4.4 or later. The HP Smart app is available for free from the Apple® App Store for Apple® mobile devices and from the Google Play Store for Android™ mobile devices.

Technical specifications

| | | | |
|-------------------------------|--|--|--|
| Print | Line drawings ⁵ | 25 sec/page on A1/D, 82 A1/D prints per hour | |
| | Print resolution | Up to 2400 x 1200 optimized dpi | |
| | Margins (top x bottom x left x right) | Roll: 5 x 5 x 5 mm (0.2 x 0.2 x 0.2 x 0.2 in) Sheet: 5 x 5 x 5 mm (0.2 x 0.2 x 0.2 x 0.2 in) | |
| | Ink types | Dye-based (C, M, Y); pigment-based (mK) | |
| | Printheads | 1 (C, M, Y, mK) | |
| | Line accuracy | +/- 0.1% ⁶ | |
| | Minimum line width | 0.02 mm (0.0008 in) (HP-GL/2 addressable) | |
| | Guaranteed minimum line width | 0.07 mm (0.0028 in) (ISO/IEC 13660:2001(E)) ⁷ | |
| | Media | Handling | Sheet feed, roll feed, input tray, media bin, automatic cutter |
| | | Weight | 60 to 280 g/m ² (roll/manual feed); 60 to 220 g/m ² (input tray) |
| Size | | Rolls: 279 to 914 mm (11 to 36 in) Sheets: 210 x 279 to 914 x 1897 mm (8.3 x 11 to 36 x 74.7 in) Standard sheets: A4, A3, A2, A1, A0 (A, B, C, D, E) | |
| Scan | Scan speed | Color: up to 3.81 cm/sec (1.5 in/sec) Grayscale: up to 11.43 cm/sec (4.5 in/sec) | |
| | Scan/copy resolution | 600 dpi | |
| | Maximum scan | Size: 914mm x 2.77m (36x109in) Thickness: 0.8 mm (0.03 in) | |
| Copy | Reduction/enlargement | 50 to 400% | |
| | Maximum copies | Up to 99 copies | |
| Applications | Copier settings | Content type, Lighter/Darker, Background noise removal, Background color removal, Blue print invert, Translucent media, Color, Scan full width (36-in), Auto De-skew, Resize, Copy Margins, Quality | |
| | Applications | Line drawings, Renderings, Presentations | |
| Memory | | 1 GB | |
| Connectivity | Interfaces (standard) | Gigabit Ethernet (1000Base-T); Wi-Fi 802.11b/g/n; Wi-Fi Direct | |
| | Print languages (standard) | TIFF, JPEG, CALS G4, HP PCL 3 GUI, HP-GL/2, HP-RTL, URF | |
| | Printing paths | Windows and Mac printer drivers, Apple AirPrint, HP Print Service Plugin for Android, HP Print for Chrome app for Chrome OS | |
| | Mobile printing capability features | Direct print for mobile apps for iOS, Android and Chrome OS; email printing with HP ePrint and HP Smart app for iOS and Android | |
| | Drivers (included) | Raster driver for Windows and macOS; HP-GL/2, HP-RTL drivers for Windows | |
| Dimensions (w x d x h) | Printer | 1403 x 629 x 1155 mm (55.2 x 24.8 x 45.5 in) | |
| | Shipping | 1578 x 570 x 645 mm (62.5 x 22.4 x 25.4 in) | |
| Weight | Printer | 62.5 kg (137.8 lb) | |
| | Shipping | 85 kg (187.4 lb) | |
| What's in the box | HP DesignJet T830 36-in MFP, printhead, ink cartridges, printer stand, spindle, quick reference guide, setup poster, startup software, power cord, refeed preventers | | |
| Software included | HP Click printing software, HP DesignJet Utility for Mac and Windows | | |
| Environmental ranges | Operating temperature: | 5 to 40°C (41 to 104°F) | |
| | Storage temperature: | -25 to 55°C (-13 to 131°F) | |
| | Operating humidity: | 20 to 80% RH | |
| Acoustic | Sound pressure: 48 dB(A) (printing); < 16 dB(A) (sleep) | | |
| | Sound power: 6.5 B(A) (printing); < 3.4 B(A) (sleep) | | |
| Power consumption | | 35 watts (printing), 3.5 watts (sleep), 0.2 watts (standby) | |
| | Input voltage (auto ranging): | 100 to 240 VAC (+/- 10%), 50/60 Hz (+/- 3 Hz), 1.2 A max | |
| Certification | Safety | USA and Canada (CSA certified), EU (LVD and EN 60950-1 compliant), Russia (EAC), Singapore (PSB), China (CCC), India (BIS) | |
| | Electromagnetic | Compliant with Class B requirements, including: USA (FCC rules), Canada (ICES), EU (EMC/R&TTE Directives), Australia (ACMA), New Zealand (RSM), China (CCC), Japan (VCCI); Certified as Class A product: Korea (KCC) | |
| | Environmental | ENERGY STAR, EPEAT Silver, CE marking (including RoHS, WEEE, REACH). In compliance with WW RoHS materials restriction requirements in China, Korea, India, Vietnam, Turkey, Serbia, and Ukraine | |
| Warranty | One-year limited warranty. Warranty and support options vary by product, country and local legal requirements | | |

Dynamic security enabled printer. Only intended to be used with cartridges using an HP original chip. Cartridges using a non-HP chip may not work, and those that work today may not work in the future. More at: hp.com/go/learnaboutsups



Ordering information

| | | |
|--|--|---|
| Product | F9A30A | HP DesignJet T830 36-in Multifunction Printer |
| Accessories | B3Q37A | HP DesignJet 36-in Spindle |
| | N7P47AA | HP USB 3.0 to Gigabit Adapter |
| | N9M07A | HP DesignJet Rugged Case |
| Original HP printhead | F9J81A | HP 729 DesignJet Printhead Replacement Kit |
| Original HP ink cartridges | F9J61A | HP 728 40-ml Yellow DesignJet Ink Cartridge |
| | F9J62A | HP 728 40-ml Magenta DesignJet Ink Cartridge |
| | F9J63A | HP 728 40-ml Cyan DesignJet Ink Cartridge |
| | F9J64A | HP 728 69-ml Matte Black DesignJet Ink Cartridge |
| | F9J65A | HP 728 130-ml Yellow DesignJet Ink Cartridge |
| | F9J66A | HP 728 130-ml Magenta DesignJet Ink Cartridge |
| | F9J67A | HP 728 130-ml Cyan DesignJet Ink Cartridge |
| | F9J68A | HP 728 300-ml Matte Black DesignJet Ink Cartridge |
| | F9K15A | HP 728 300-ml Yellow DesignJet Ink Cartridge |
| | F9K16A | HP 728 300-ml Magenta DesignJet Ink Cartridge |
| F9K17A | HP 728 300-ml Cyan DesignJet Ink Cartridge | |
| Original HP large format printing materials | C1861A | HP Bright White Inkjet Paper (FSC® certified) ⁸ 914 mm x 45.7 m (36 in x 150 ft) |
| | C6020B | HP Coated Paper ⁹ 914 mm x 45.7 m (36 in x 150 ft) |
| | C6030C | HP Heavyweight Coated Paper ⁹ 914 mm x 30.5 m (36 in x 100 ft) |
| | C3875A | HP Clear Film ¹⁰ 914 mm x 30.5 m (36 in x 75 ft) |
| Service and support | UC744E | HP Network Installation Service |
| | U9J8E | HP Monthly NBD* Onsite Support |
| | U8TY8E | HP 2 year NBD* Onsite Support |
| | U8PH3E | HP 3 year NBD* Onsite Support |
| | U8TY9E | HP 4 year NBD* Onsite Support |
| | U8PH4E | HP 5 year NBD* Onsite Support |
| | U8PH5PE | HP 1 year Post Warranty NBD* Onsite Support |
| | U8TZOPE | HP 2 year Post Warranty NBD* Onsite Support |

* Next Business Day.

HP DesignJet Support Services offer solutions for business critical environments — installation, extended support and maintenance, as well as a variety of value-added services. For more information, please visit hp.com/go/designjetsupport.

Use **Original HP inks**, printheads and large format printing materials to experience consistent high quality and reliable performance that enable less downtime. These critical components are designed and engineered together as an optimized printing system to provide precise line accuracy as well as dark blacks. For more information, visit hp.com/go/OriginalHPInks.

For the entire **HP Large Format Printing Materials** portfolio, please see HPLFMedia.com.

Eco Highlights

- ENERGY STAR® certified and EPEAT Silver registered¹⁰
- Free, convenient HP ink cartridge recycling¹¹
- FSC®-certified papers⁸ and a range of recyclable HP media with a take back program¹¹

Please recycle large-format printing hardware and printing supplies.

Find out how at our website
hp.com/ecosolutions

⁵ Mechanical printing time. Printed in Fast mode with Economode on, using HP Bright White Inkjet Paper (bond) and Original HP inks.

⁶ +/-0.1% of the specified vector length or +/-0.2 mm (whichever greater) at 23°C (73°F), 50-60% relative humidity, on A0/E HP heavyweight media in Best or Normal mode with HP Matte Film.

⁷ Measured on HP Matte Film.

⁸ BMG trademark license code FSC®-C115319, see fsc.org. HP trademark license code FSC®-C017543, see fsc.org. Not all FSC®-certified products are available in all regions. For information about HP large format printing materials, please visit HPLFMedia.com.

⁹ Can be recycled through commonly available recycling programs.

¹⁰ EPEAT registered where applicable and/or supported. See epeat.net for registration status by country.

¹¹ Program availability varies. Please check hp.com/recycle for details. Many HP printing materials are recyclable through commonly available recycling programs. For information about HP large format printing materials, please visit HPLFMedia.com.

